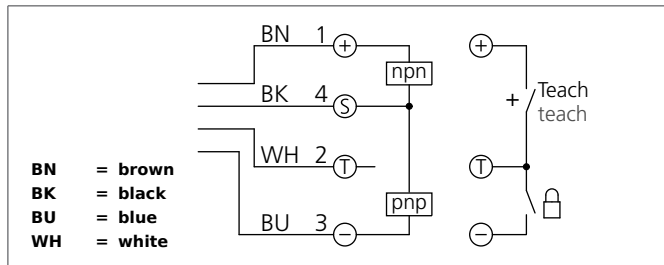


UST Q12 M 400 G3-T4

Ultrasonic Sensor

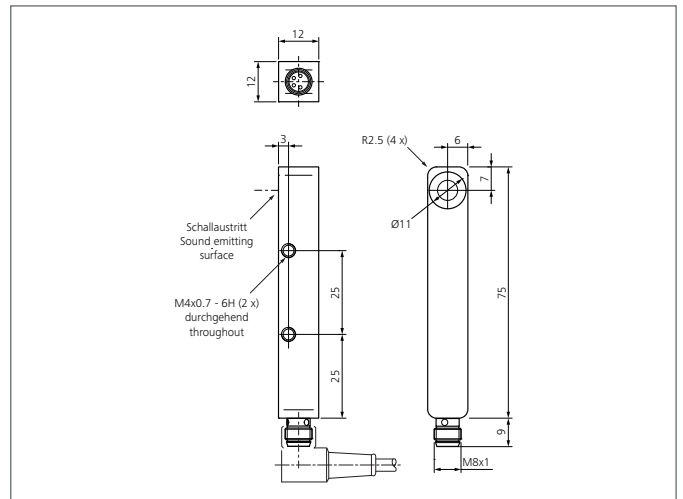


- Narrow detection beam / small blind zone
- Switching functions: NO/NC, frame function teachable
- Insensitive to dirt
- Small design
- Robust metal casing
- Protection class IP 67



Safety instructions

The Instruments are not to be used for safety applications, in particular applications in which safety of persons depends on proper operation of the instruments.
 These instruments shall exclusively be used by qualified personnel.



TECHNICAL INFORMATION (typ.)		+20°C, 24V DC
Operating principle		Ultrasonic sensor
Evaluation		digital
Size		12 x 12 x 75 mm (Dimensions)
Design		cuboid design
Sound emitting surface		radial
Nominal switching distance (Sn)		400 mm
Standardized measuring plate		20 x 20 mm
Service voltage		18 ... 30 V DC
Internal power consumption		< 30 mA, (24 V DC)
Operating distance		40 ... 400 mm adjustable
Sensitivity adjustment		Remote teach
Switching output		Push pull, 150 mA, NO/NC, switchable
Max. power operating		150 mA
Switching hysteresis		5 %
Operating frequency		300.000 Hz
Display		LED yellow (Display output)
Voltage drop		< 2,5 V
Switching frequency		10 Hz
Repeatability		<0.5 mm
Readiness delay		100 ms
Ambient temperature		0 ... +50 °C
Temperature drift		0,2 %/K
Insulation voltage endurance		500 V

UST Q12 M 400 G3-T4

Ultrasonic Sensor



TECHNICAL INFORMATION (typ.)	+20°C, 24V DC
Protection class	IP 67
Protection degree	III, operation on protective low voltage
Casing material	Aluminium anodized
Material	epoxy resin, PUR (Transducer surface)
Connection	Connector, M8, 4-poled